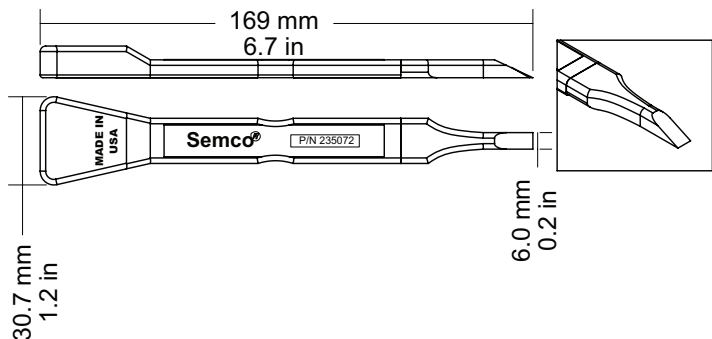


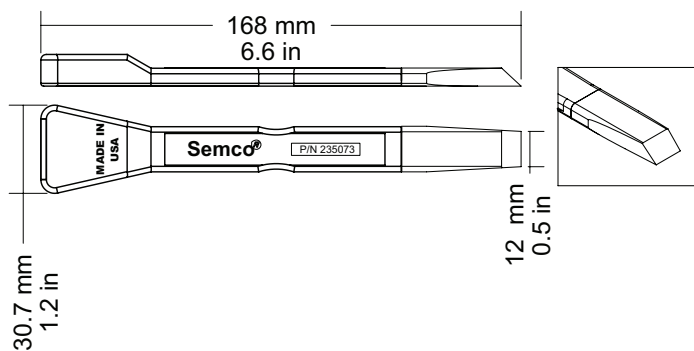
Semco® sealant removal tools (Celcon® POM)

Description

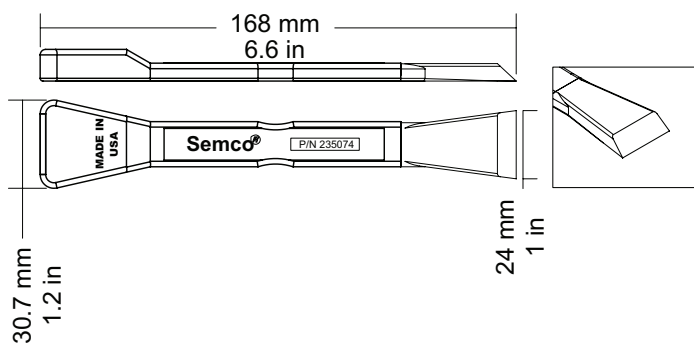
SEMCO® sealant removal tools made with CELCON® POM are designed to remove cured and semi-cured sealant from aircraft.



Part number: 235072
Material composition: Celcon POM

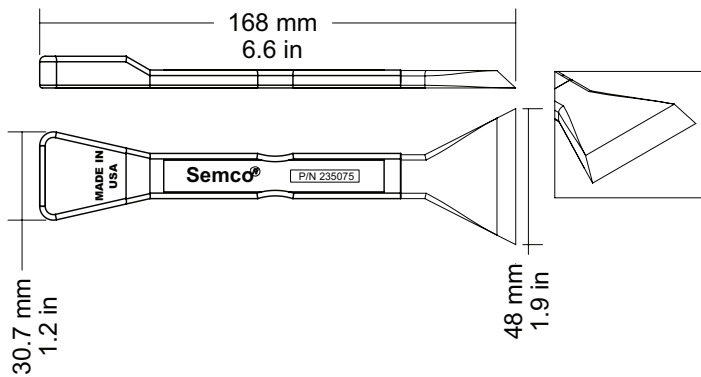


Part number: 235073
Material composition: Celcon POM



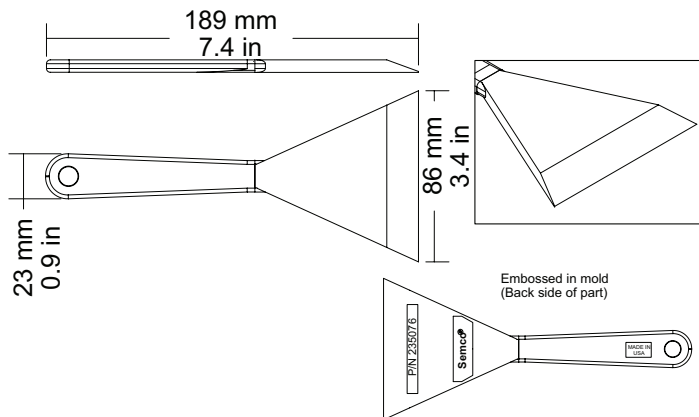
Part number: 235074
Material composition: Celcon POM

Semco® sealant removal tools (Celcon® POM)



Part number: 235075

Material composition: Celcon POM



Part number: 235076

Material composition: Celcon POM

Semco is a trademark of PRC-DeSoto International Inc., registered with the U.S. Patent Office.

Celcon is a registered trademark of Celanese Corporation

All recommendations, statements, and technical data contained herein are based on tests we believe to be reliable and correct, but accuracy and completeness of said tests are not guaranteed and are not to be construed as a warranty, either expressed or implied. User shall rely on his own information and tests to determine suitability of the product for the intended use and assumes all risks and liability resulting from his use of the product. Seller's and manufacturer's sole responsibility shall be to replace that portion of the product of this manufacturer which proves to be defective. Neither seller nor manufacturer shall be liable to the buyer or any third person for any injury, loss, or damage directly or indirectly resulting from use of, or inability to use, the product. Recommendations or statements other than those contained in a written agreement signed by an officer of the manufacturer shall not be binding upon the manufacturer or seller.

Printed in the U.S.A

PRC-DeSoto International, Inc.
12780 San Fernando Road
Sylmar, CA 91342
Telephone (818) 362-6711
Toll Free (800) AEROMIX
www.ppgaerospace.com

Issue Date: 05/17
Supersedes: 03/17
Lit: 4358