

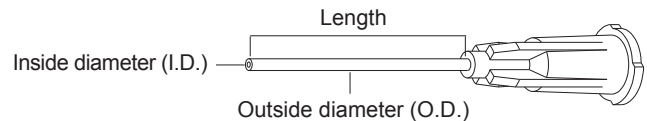
Sem-Needles and Semflex-Needles

Sem-Needles

Disposable, rigid, stainless steel, blunt end dispensing needles fit onto all luer lock and luer slip syringes and the Sem-luer adapter. All needles have molded international color coded hubs for easy identification of the specific gauge size. These needles are precision made with burr-free ends for micro applications. All needles are non-sterile and are for industrial use only.

Semflex-Needles

Disposable, flexible, blunt end Teflon® dispensing needles fit onto all luer lock and luer slip syringes and the Sem-luer adapter. All have molded international color coded hubs for easy identification of specific gauge size. These flexible needles will not scratch or mark a surface upon contact. All needles are non-sterile and are for industrial use only.

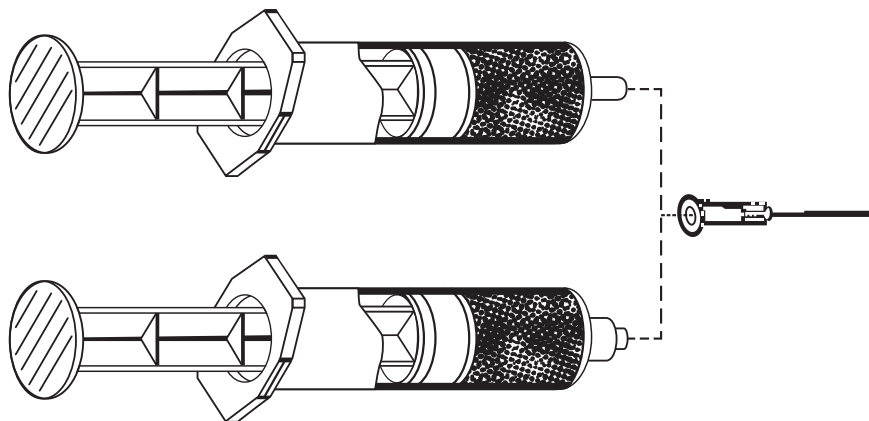


Application capacities table

Gauge	Sem-Needles			Semflex-Needles			Length	Hub Color
	P/N	O.D.	I.D.	P/N	O.D.	I.D.		
14	231843	.083"	.066"		N/A		1/2"	Dark green
14	231844	.083"	.066"	232728	.082"	.066"	1"	Dark green
15	231845	.072"	.060"		N/A		1/2"	Orange
15	231846	.072"	.060"	232730	.071"	.059"	1"	Orange
18	231849	.049"	.038"		N/A		1/2"	Pink
18	231850	.049"	.038"		N/A		1"	Pink
18		N/A		232734	.054"	.042"	2"	Pink
19	231851	.042"	.032"		N/A		1/2"	Brown
19	231852	.042"	.032"		N/A		1"	Brown
20	231853	.035"	.026"		N/A		1/2"	Yellow
20	231854	.035"	.026"	232736	.046"	.034"	1"	Yellow
21	231855	.032"	.023"		N/A		1/2"	Green
21	231856	.032"	.023"		N/A		1"	Green
22	231857	.028"	.020"		N/A		1/2"	Black
22	231858	.028"	.020"		N/A		1"	Black
23	231859	.025"	.017"		N/A		1/2"	Light blue
23	231860	.025"	.017"	232742	.038"	.026"	1"	Light blue
25	231863	.020"	.012"		N/A		1/2"	Blue
25	231864	.020"	.012"		N/A		1"	Blue
26		N/A		232745	.030"	.018"	1/2"	Peach
26	231866	.018"	.010"		N/A		1"	Peach
26		N/A		232893	.030"	.018"	1/8"	Peach
27	231867	.016"	.009"		N/A		5/16"	Tan
28		N/A		232748	.027"	.015"	1"	Tan
30	231869	.012"	.006"		N/A		5/16"	Lavender
30		N/A		232749	.024"	.012"	1/2"	Lavender

Other sizes and lengths are available through special order.

Sem-Needles and Semflex-Needles



Application capacities table

Needle I.D.	Half volume	Shots per cc	Inches of bead per cc
0.066"	0.000075000"	810	18"
0.060"	0.000057000"	1,079	22"
0.059"	0.000054000"	1,135	22"
0.042"	0.000019000"	3,145	44"
0.038"	0.000014000"	4,246	54"
0.034"	0.000010000"	5,928	67"
0.032"	0.000008600"	7,111	76"
0.026"	0.000004600"	13,257	115"
0.023"	0.000003200"	19,150	147"
0.020"	0.000002100"	29,125	194"
0.018"	0.000001500"	39,952	240"
0.017"	0.000001300"	47,426	269"
0.015"	0.000000880"	69,038	345"
0.012"	0.000000450"	134,840	539"
0.010"	0.000000260"	233,003	777"
0.009"	0.000000190"	319,620	959"
0.006"	0.000000057"	1,078,717	2,157"

All dimensions are in inches.

Semco, Sem-Luer, Kem-Needles and Semit are trademarks of PRC-DeSoto International Inc., registered with the U.S. Patent Office.

All recommendations, statements, and technical data contained herein are based on tests we believe to be reliable and correct, but accuracy and completeness of said tests are not guaranteed and are not to be construed as a warranty, either expressed or implied. User shall rely on his own information and tests to determine suitability of the product for the intended use and assumes all risks and liability resulting from his use of the product. Seller's and manufacturer's sole responsibility shall be to replace that portion of the product of this manufacturer which proves to be defective. Neither seller nor manufacturer shall be liable to the buyer or any third person for any injury, loss, or damage directly or indirectly resulting from use of, or inability to use, the product. Recommendations or statements other than those contained in a written agreement signed by an officer of the manufacturer shall not be binding upon the manufacturer or seller.

This document has been reviewed by PPG aerospace been determined to contain only EAR99 data.

PRC-DeSoto International, Inc.
12780 San Fernando Road
Sylmar, CA 91342
Telephone (818) 362-6711
Toll Free (800) AEROMIX
www.ppgaerospace.com

Issue Date: 04/24
Supersedes: 08/12
Lit: 0655